

# Cylindrical grinder RC-Grind 1050



T e c h n i c a l   D a t a s h e e t

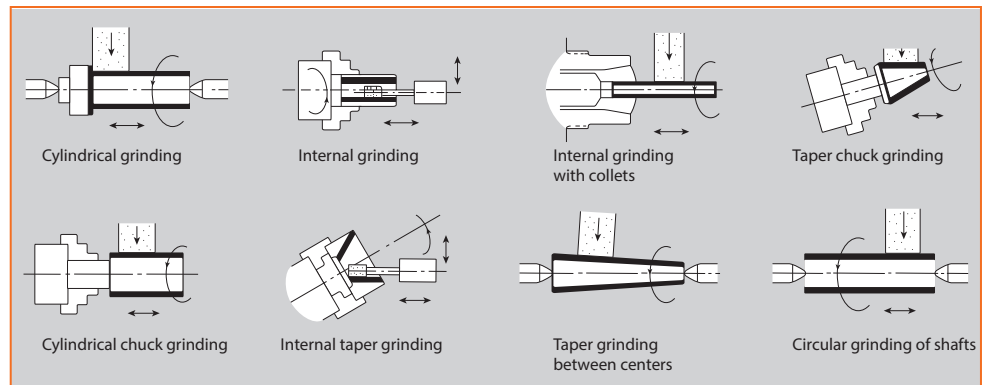
## For external and internal grinding of cylindrical and tapered surfaces

- Hydraulic table feed, infinitely adjustable
- Machine table and spindle swivel for tapered grinding
- Swivel grinding head with Internal grinding unit
- Lever actuated tailstock
- Cross feed of the grinding wheel is carried out hydraulically or manually
- Grinding headstock can be rotated by 180° to change from outside to inside grinding
- The hydraulic tailstock is actuated using the foot pedal



### Standard configuration:

- ✓ 3-jaw chuck
- ✓ Internal grinding unit
- ✓ Balancing stand
- ✓ Dressing device
- ✓ Dead center
- ✓ Diamond dresser
- ✓ Grinding wheel flange (standard)
- ✓ Coolant system
- ✓ Operating tools
- ✓ Manual



Technical specifications	R-Grind 1050	Technical specifications	R-Grind 1050
<b>Working area</b>		<b>Tailstock</b>	
Center height	100 mm	Tailstock taper	MK 4
Max. grinding length	500 mm	Tailstock quill stroke	30 mm
Grinding capacity	Ø200 mm	<b>Grinding headstock</b>	
Grinding capacity with steady rest	Ø60 mm	Grinding spindle speed	0 - 1.670 min <sup>-1</sup>
Max. workpiece weight between centers	50 kg	Grinding headstock swivel range (r+l)	30 °
Grinding head travel	200 mm	<b>Drive capacity</b>	
Chuck diameter	Ø165 mm	Motor rating grinding	4 kW
Internal grinding diameter	10–90 mm	Motor rating inside grinding	4 kW
Internal grinding depth	125 mm	Motor rating working spindle	0,75 kW
Table swiveling range	R=-3°/ L=+9°	Motor rating hydraulic pump	0,75 kW
Grinding wheel feed (min)	0,005 mm	Motor rating coolant pump	0,125 kW
Wheel speed	35 m/s	Total power consumption	5,625 kVA
Work spindle speeds	50 Hz: 25-220 min <sup>-1</sup> 60 Hz: 30-264 min <sup>-1</sup>	<b>Measures and weights</b>	
<b>Feed</b>		Grinding wheels dimensions	400x50x203 mm
Feed per hand-wheel rotation X-axis	1 mm	Grindstone dimensions, inside grinding (max.)	50x25x13 mm
Feed per scale division X-axis	0,005 mm	Grindstone dimensions, inside grinding (min.)	17x20x6 mm
Table feed, infinitely variable	0,1 - 4 m/min	Overall dimensions	2.500x1.600x1.500 mm
<b>Headstock</b>		Weight	2.500 kg
Working headstock swivel range	0 - 45 °	Item-No.	<b>3100001</b>

\*The above specifications are subject to change without prior notice, no liability for printing mistakes. Machine may be shown with optional equipment.